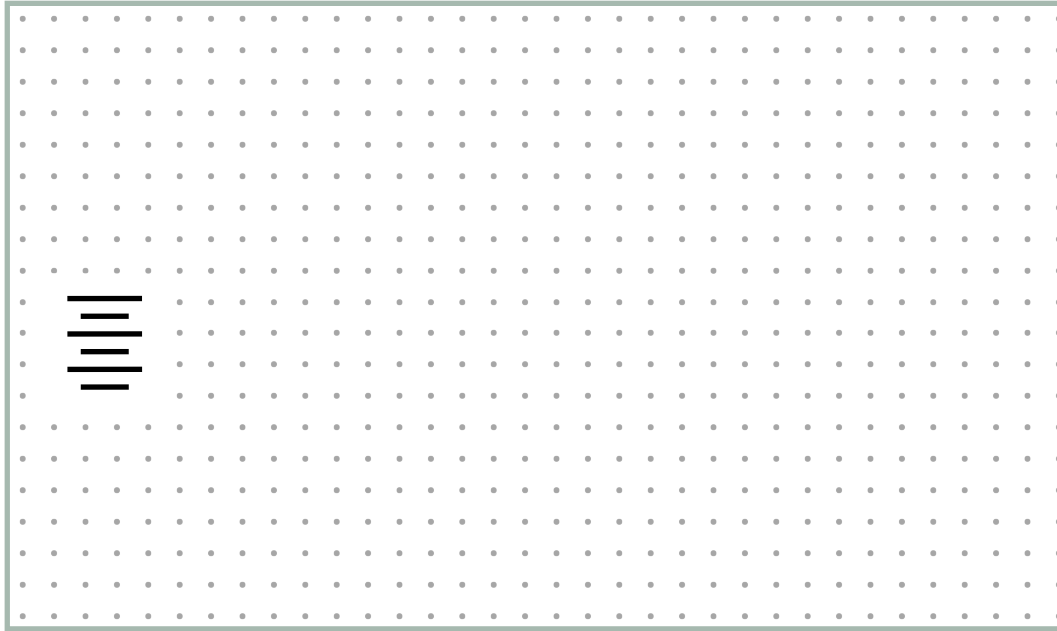
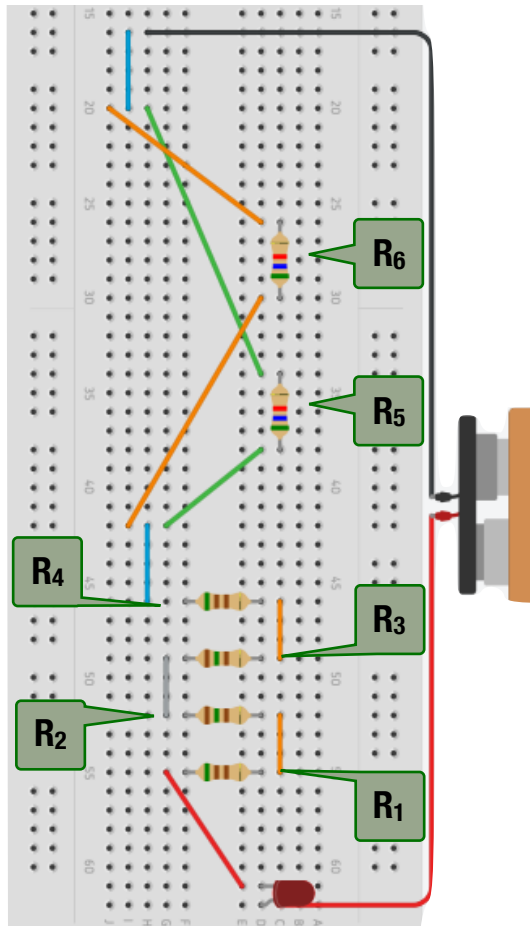


CIRCUIT _____

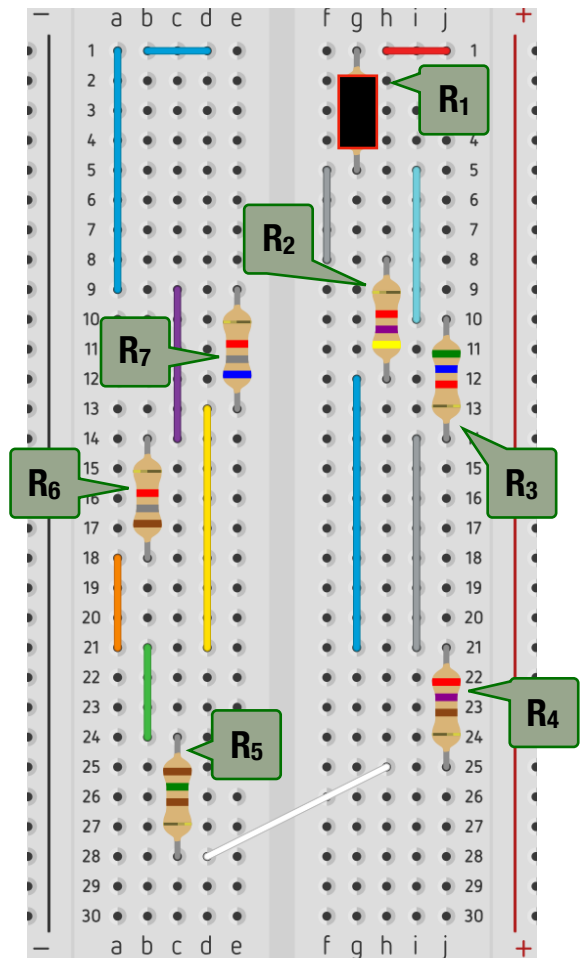


	<i>First Color</i>	<i>Second Color</i>	<i>Third Color</i>	<i>V</i>	<i>I</i>	<i>R</i>	<i>P</i>
R1							
R2							
R3							
R4							
R5							
R6							
R7							
R8							
R9							
R10							
LED							
Total							

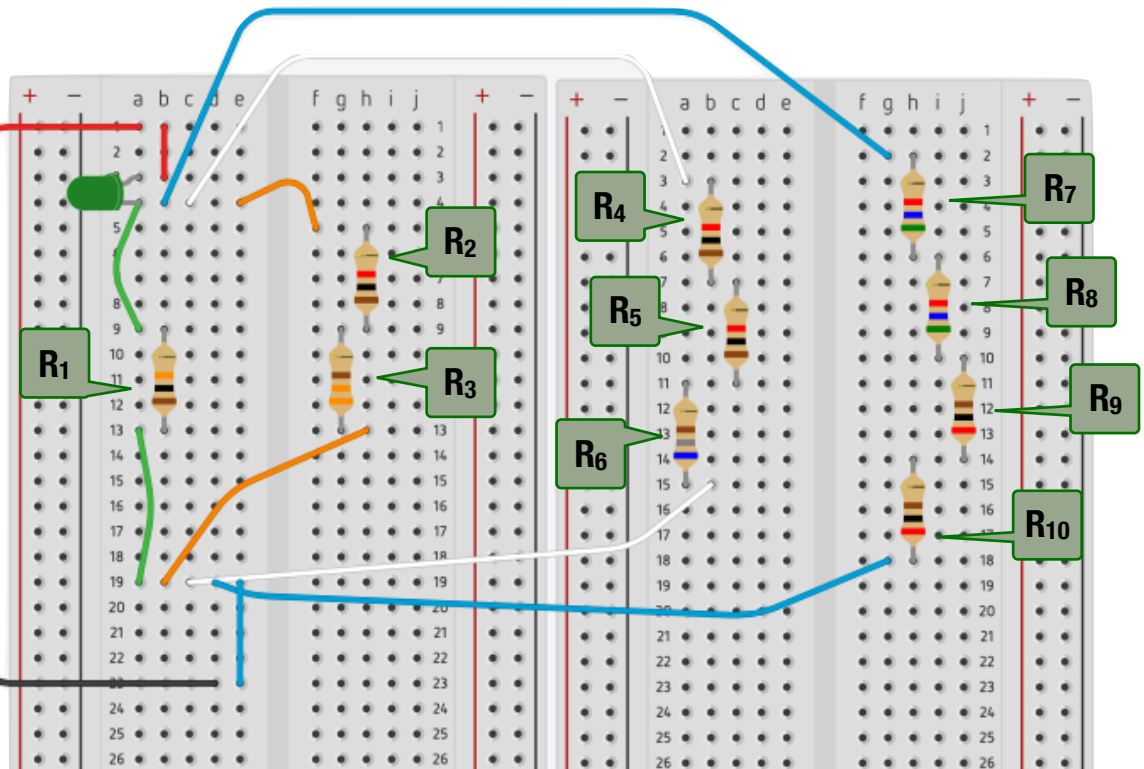
Circuit A



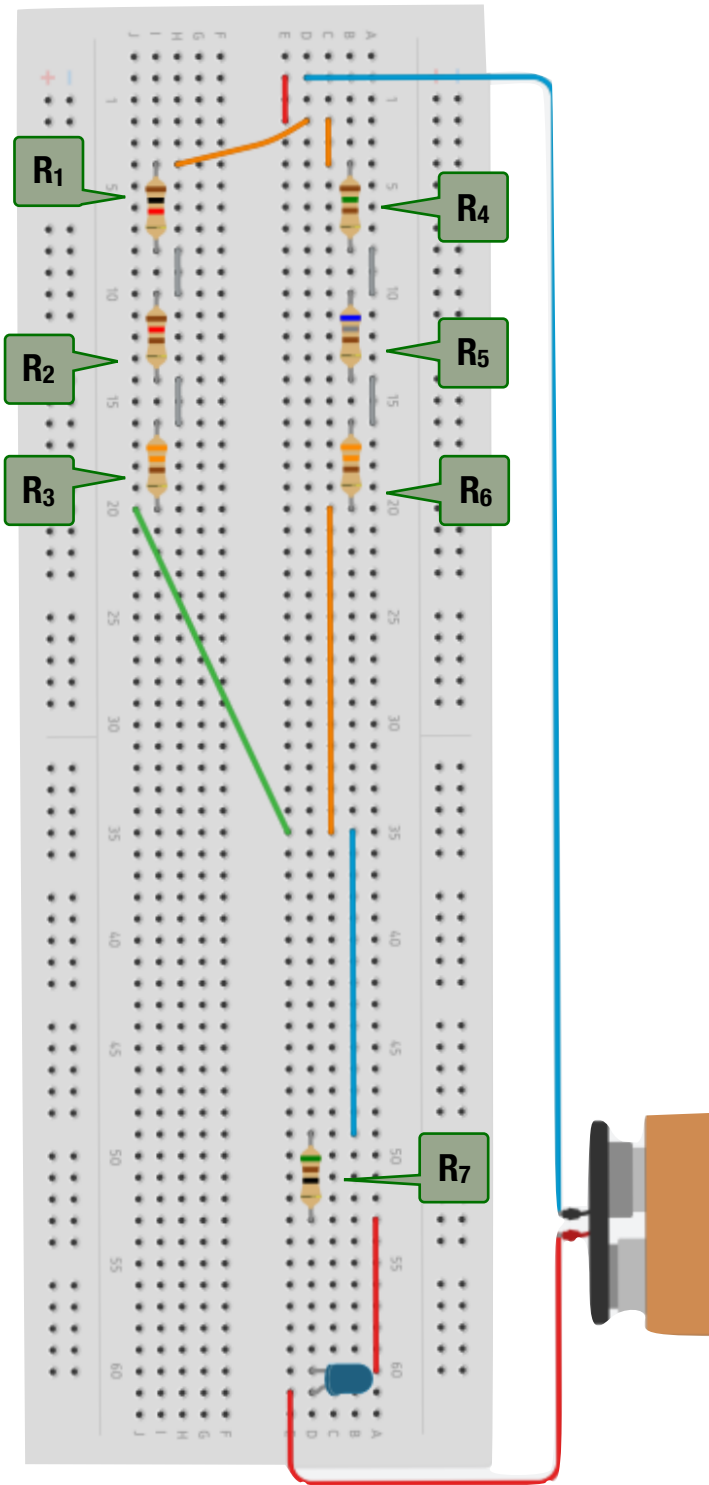
Circuit B



Circuit C



Circuit D



Circuit E

