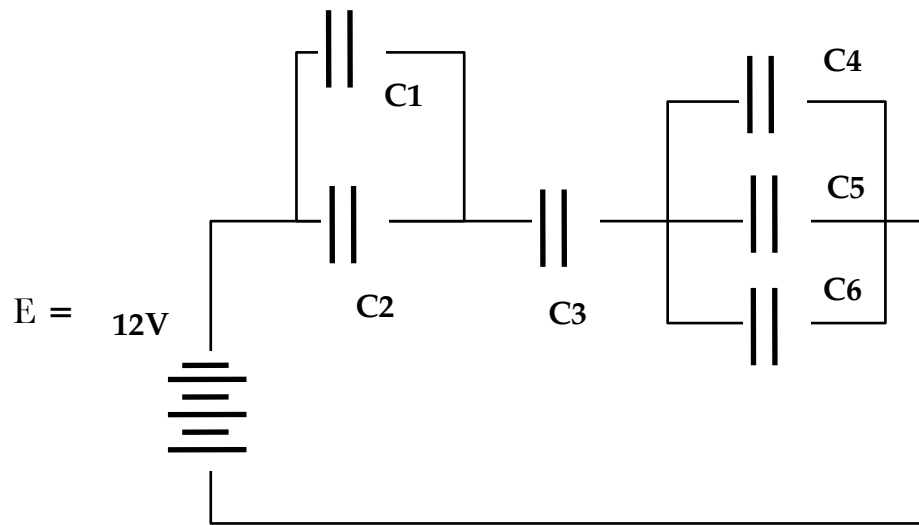


Complete the table below



	Q	V	C μF	W
C1			150	
C2			150	
C3			600	
C4			25	
C5			75	
C6			100	
T		12		